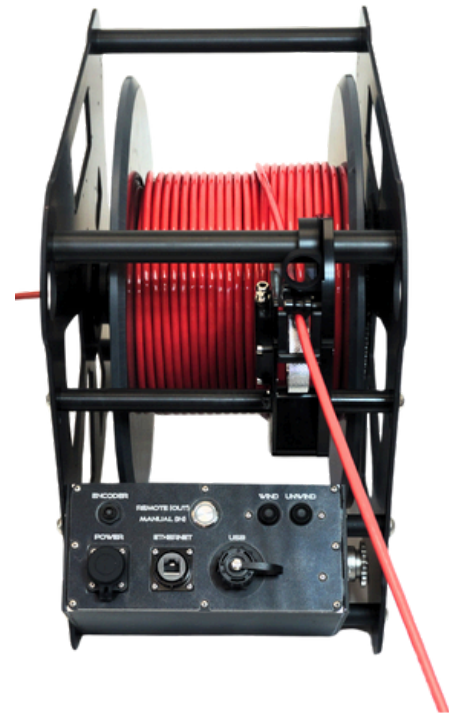


CROC Reels

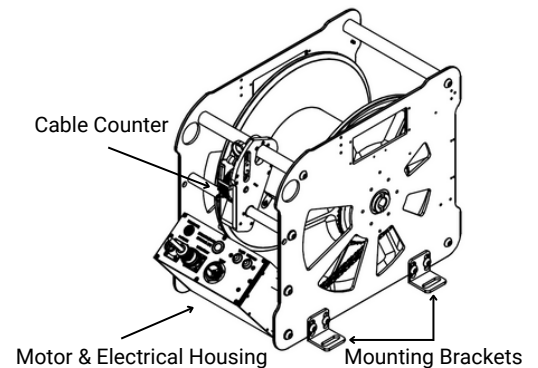
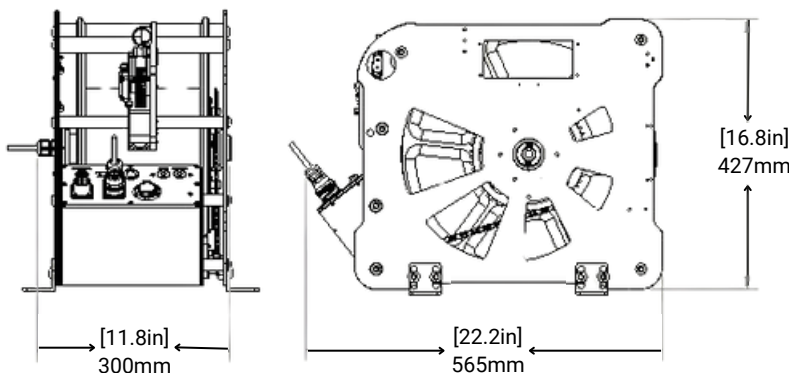
Reel Innovation, Real Value

Reach Systems' new Croc Mini Winch is a small, motorized tether management system, ideal for deploying a variety of different sensors or inspection class ROVs from small boats, Uncrewed Surface Vessels (USVs), or any type of remote installation. It includes a DC motor with local and remote (web/IP based) controls and a built-in cable counter allowing for automated payout of specific cable lengths. From hydrophones to CTDs to sampling tools, and more; the Croc Mini winch can get your subsea sensors wherever they need to go.



Motorized CROC Mini

Model 008-400-MO-AU



SPECIFICATIONS

Construction

6061-T6 Aluminum and Acetal

Weight

15 kg/ 33 lbs
(without cable)

Slip-ring

8 Conductor, 28 AWG, 240 VDC/AC
(options for higher voltage, extra conductors, fiber optic, etc)

Power

12V DC @ <250W

Cable Counter

Included

Control

Local and remote (10BaseT)

Options

OEM/White Label branding available upon request.

Capacity

Cable Diameter	Max Length
5 mm [0.2 in]	300 m [1,000 ft]
8 mm [0.3 in]	100 m [330 ft]
10 mm [0.4 in]	50 m [165 ft]